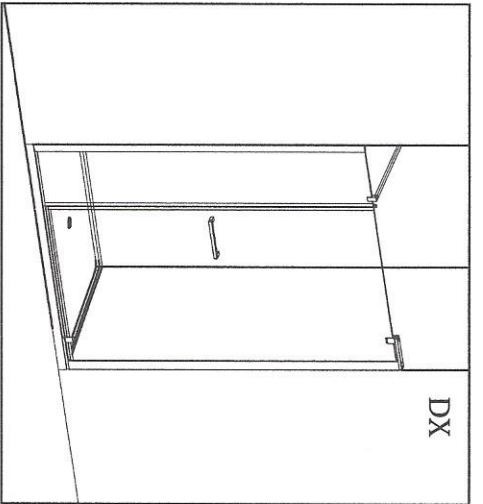


STILLA

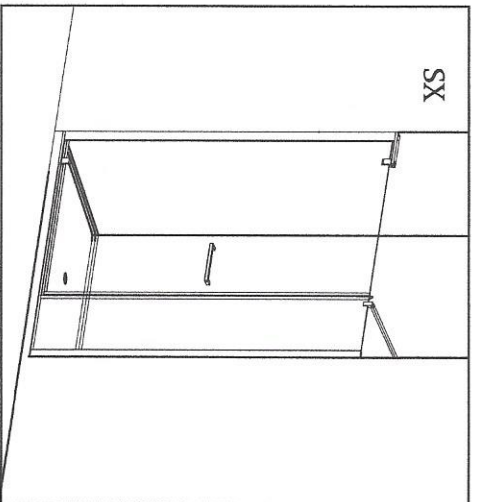
**cesana**  
owned by Stilla

# S1 B3

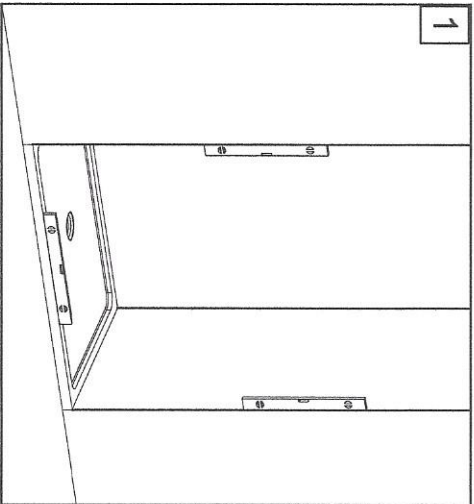
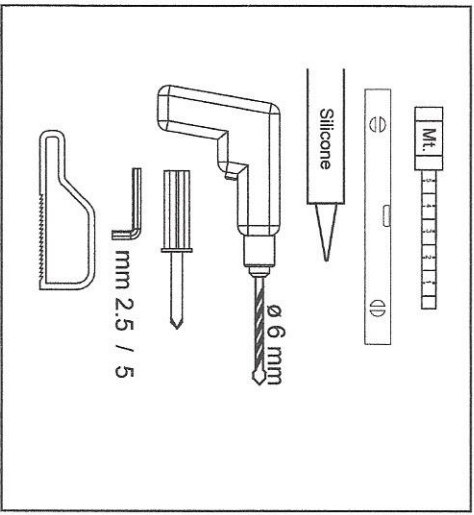
Istruzioni di montaggio  
Assembling instructions



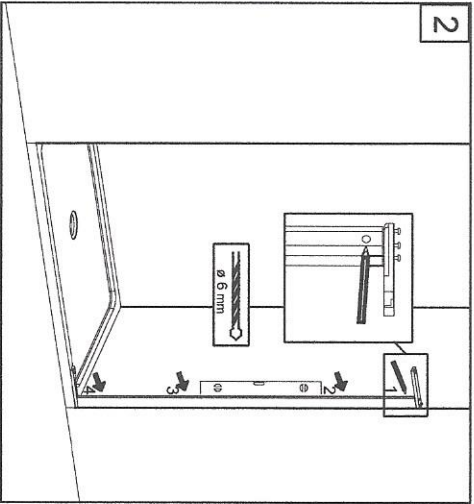
DX



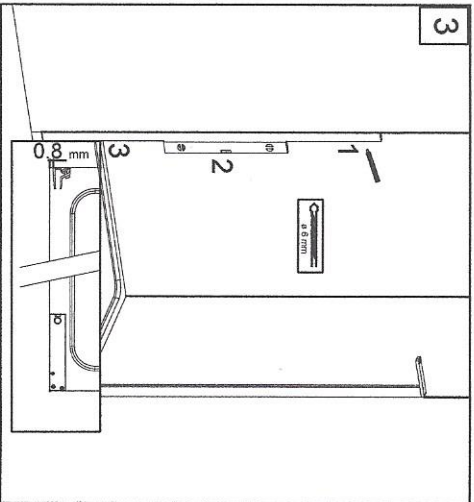
SX



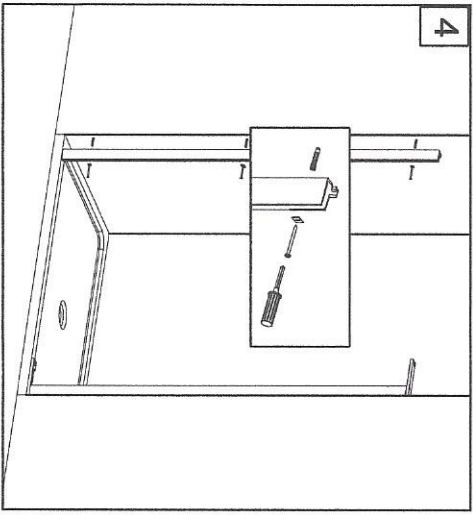
1



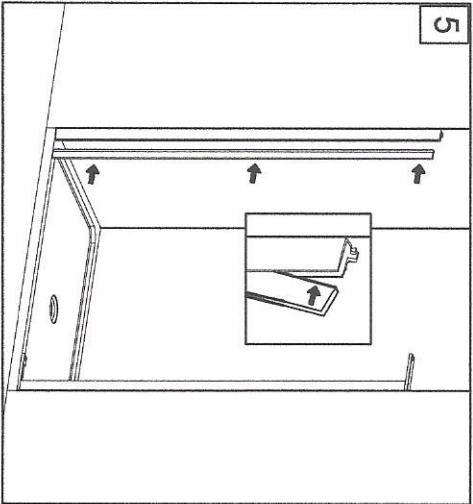
2



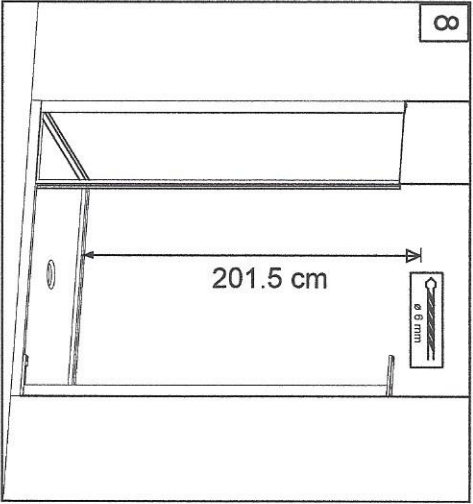
3



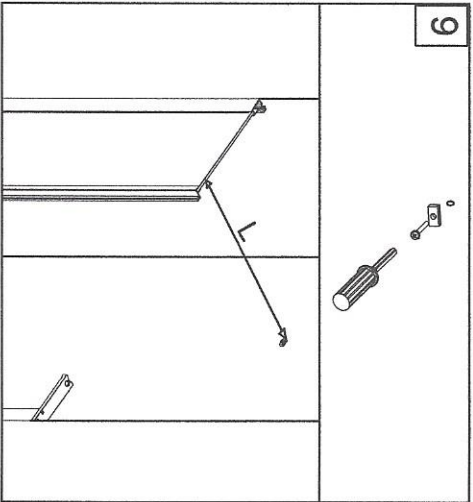
4



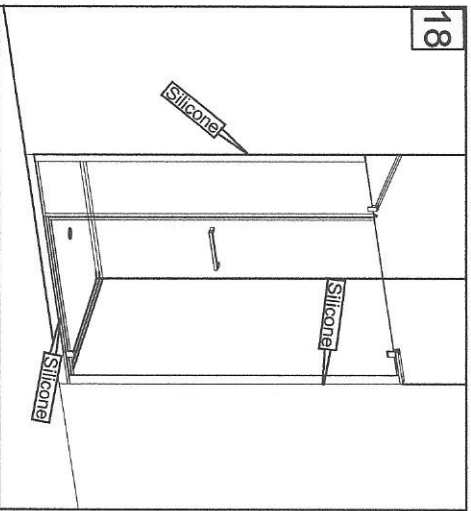
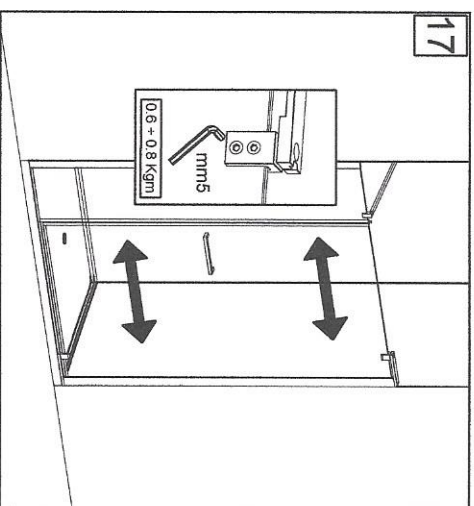
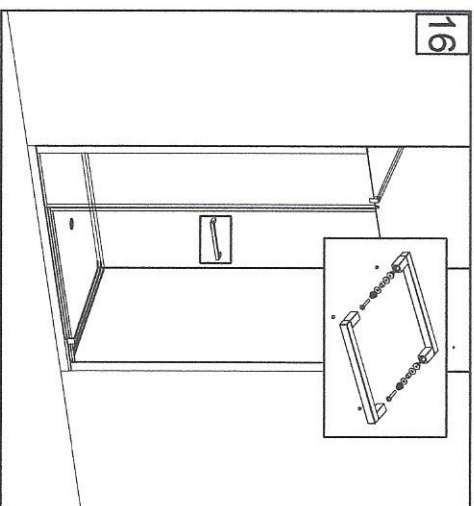
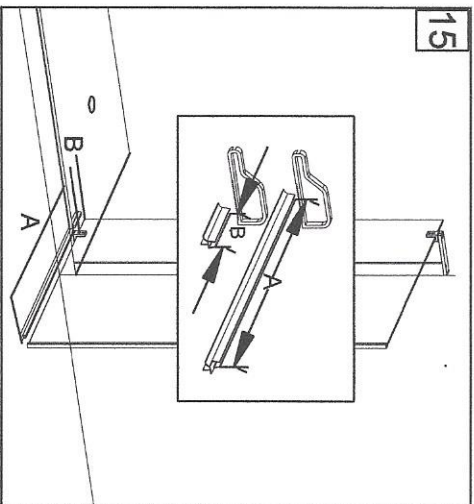
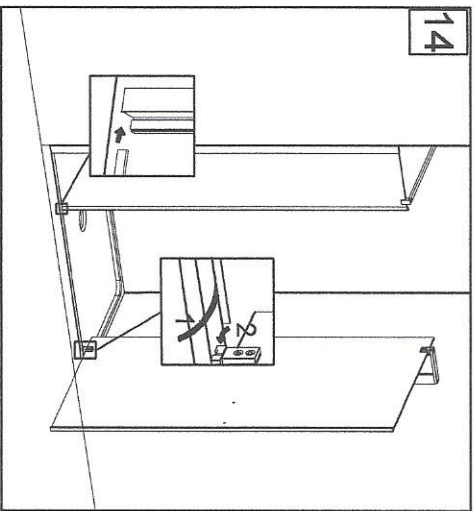
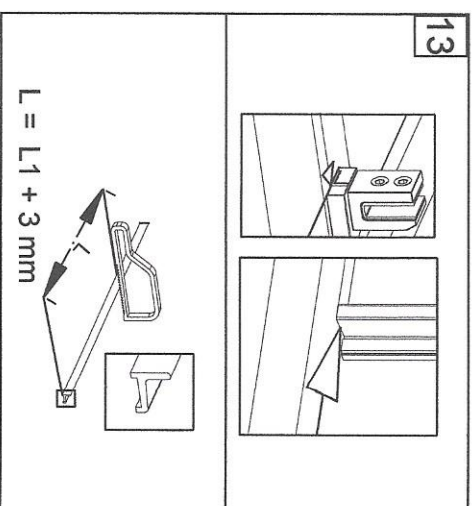
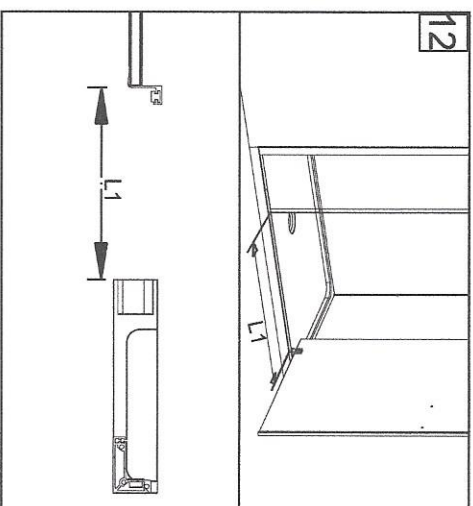
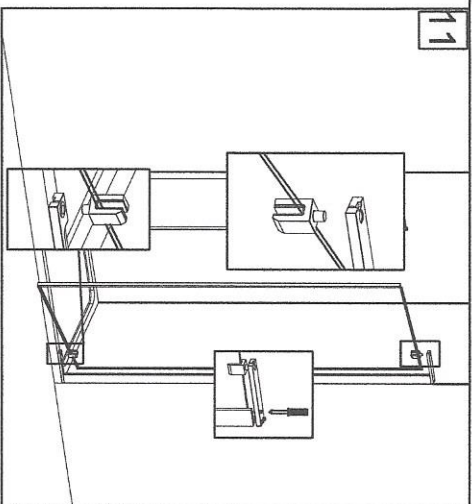
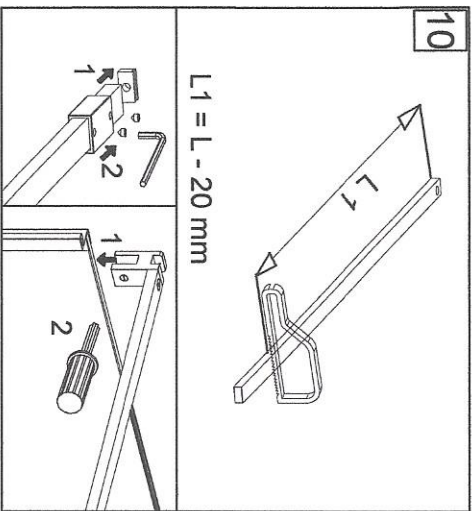
5



8



9



**Attenzione !!**  
Siliconare solo all'esterno

**Attention !!**  
Seal only outside

[www.stilla-design.com](http://www.stilla-design.com)

tel.02 87196804

**cesana**  
owned by Stilla

**STILLA**